

Connecting parts with nominal width DN 20

Valves, coupling valves, protection caps, fittings, adapters and connections for analytic instruments

WIKA data sheet SP 61.14

Applications

- Handling of SF₆ gas tanks
- For indoor and outdoor equipment

Special features

- The valves can be isolated or coupled under pressure and vacuum
- Vacuum- and pressure-tight (-1 ... +64 bar)
- Working temperature -40 ... +80 °C
- Leak rate: GCV, GCA,
measuring chambers: $\leq 1 \cdot 10^{-8}$ mbar · l / s
GCG: $\leq 1 \cdot 10^{-5}$ mbar · l / s
- Tested helium tightness of 100 %

Description

Safe and simple operation

WIKA's connecting parts enable the secure storage and handling of environmentally hazardous SF₆ greenhouse gas in the equipment provided for this. The connecting parts have been precisely and specifically optimised for this application.

The ease of mounting and removal, as well as being 100 % tested for leak tightness, make these connecting parts safe and reliable interfaces for the filling and maintenance of the equipment.

Highest quality

In order to meet the high demands for quality, the robust design has passed extensive testing with actuation tests, tests in atmospheric conditions and shock tests. The connecting parts are manufactured from high-quality aluminium, brass and stainless steel. On request, the connecting parts can be supplied with a material certificate.



Connecting parts with nominal width DN 20

Comprehensive product range

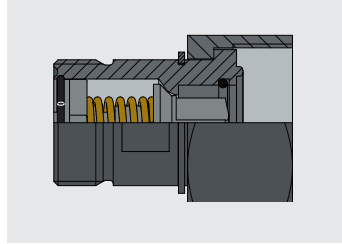
The product range for connecting parts with nominal width DN 20 consists of self-closing valves, matching couplings and soldered and weld-in connections. For the connection of DN 20 to other nominal widths and connections, the appropriate adapters and components are available. A protection cap offers mechanical protection and additional sealing.

By using WIKA's connecting parts, the maintenance-free and reliable separation of SF₆ gas compartments from the environment is made possible. In this way, not only is the escape of SF₆ gas prevented, but also the ingress of moisture.

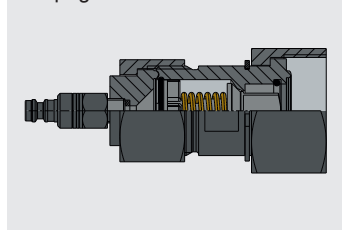
Valve, model GCV-20

Attachment parts, left

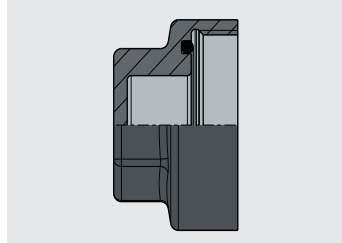
Coupling valve, model GCC-20
from page 8



Connection for analytic instruments, model GCG-20
see page 10

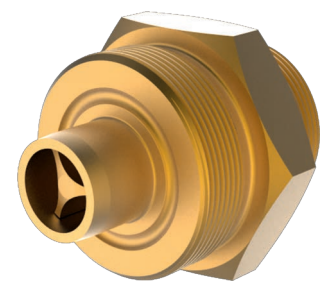
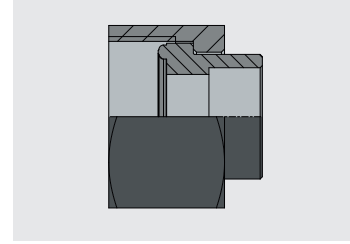


Protection cap, model GCP-20
see page 15

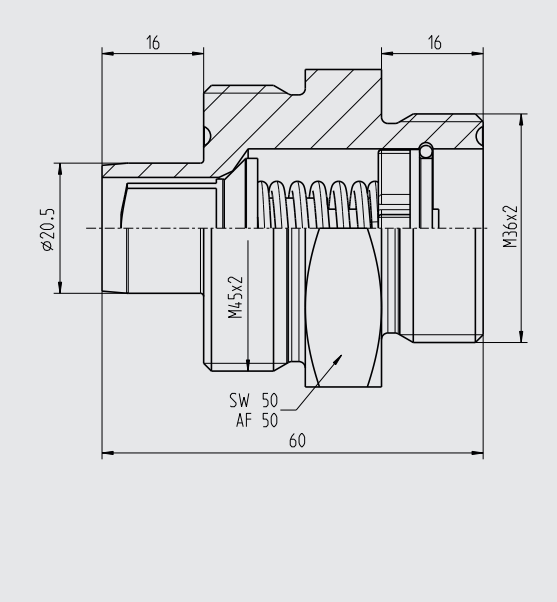


Attachment parts, right

Fitting, model GCF-20
see page 14



Dimensions in mm

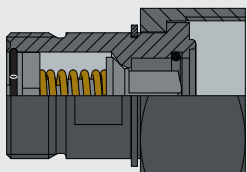


Material	Order no.
Brass	13366361

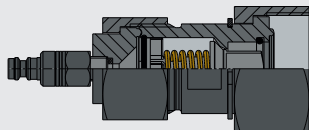
Valve, model GCV-20

Attachment parts, left

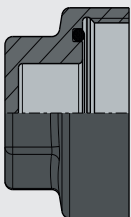
Coupling valve, model GCC-20
from page 8



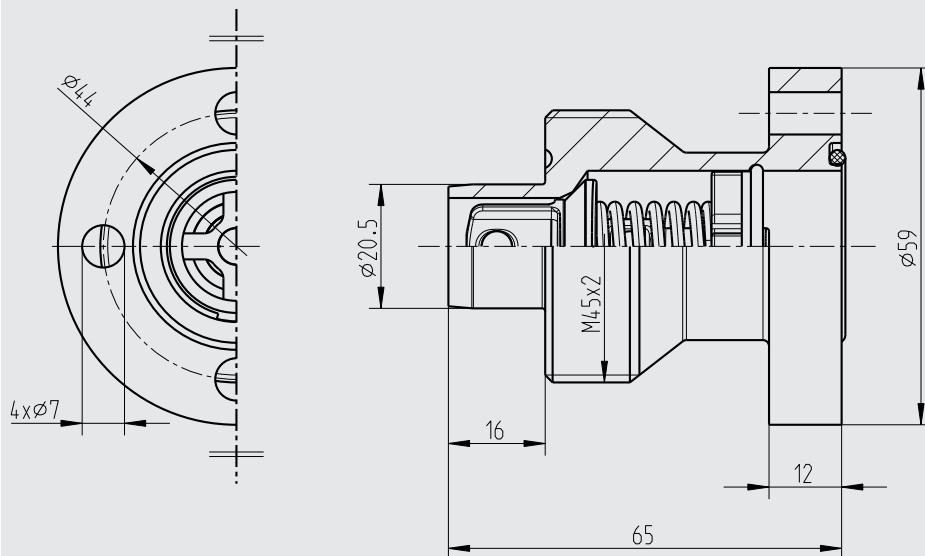
Connection for analytic instruments, model GCG-20
see page 10



Protection cap, model GCP-20
see page 15



Dimensions in mm



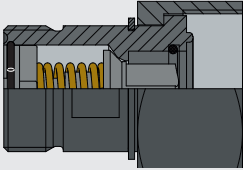
Material	Order no.
Aluminium	13366425

The O-ring is included.
Spare part: O-ring D27
Order no.: 14088574

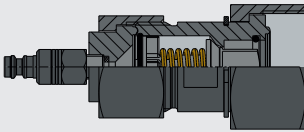
Valve, model GCV-20

Attachment parts, left

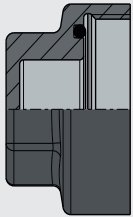
Coupling valve, model GCC-20
from page 8



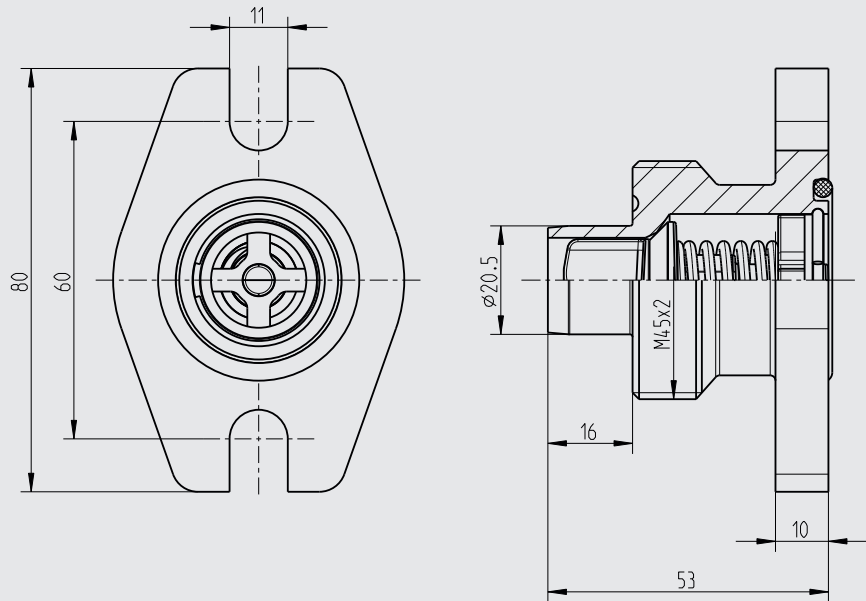
Connection for analytic
instruments, model GCG-20
see page 10



Protection cap, model GCP-20
see page 15



Dimensions in mm



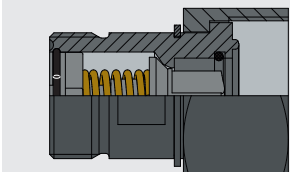
Material	Order no.
Aluminium	13368576

The O-ring is included.
Spare part: O-ring D31
Order no.: 11562961

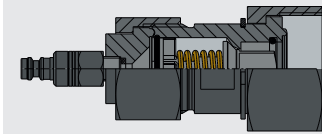
Valve, model GCV-20

Attachment parts, left

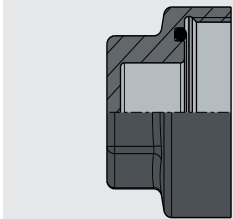
Coupling valve, model GCC-20
from page 8



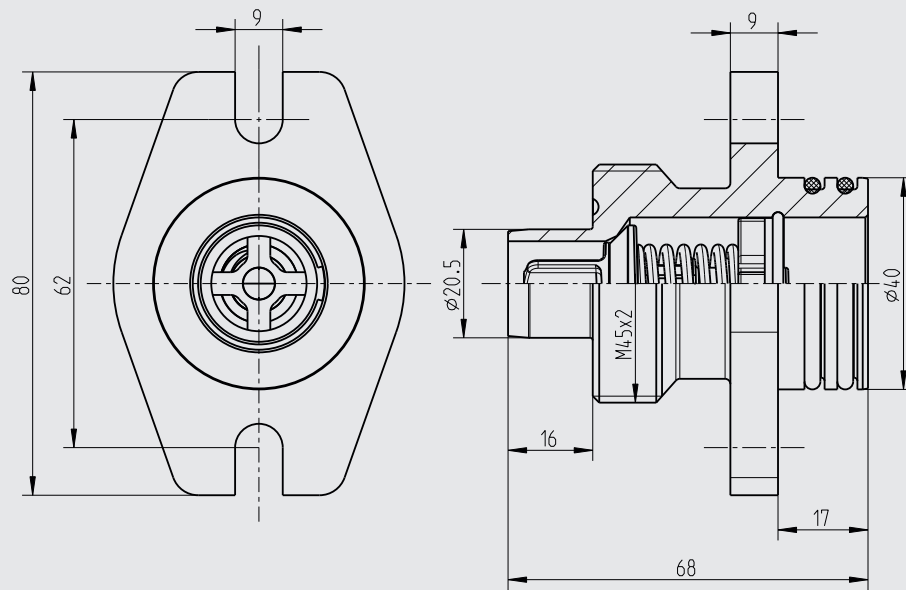
Connection for analytic
instruments, model GCG-20
see page 10



Protection cap, model GCP-20
see page 15



Dimensions in mm



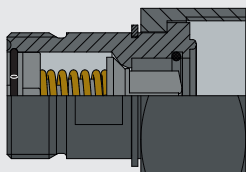
Material	Order no.
Aluminium	13368592

The O-ring is included.
Spare part: O-ring D34
Order no.: 11471779

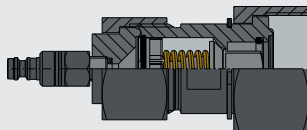
Valve, model GCV-20

Attachment parts, left

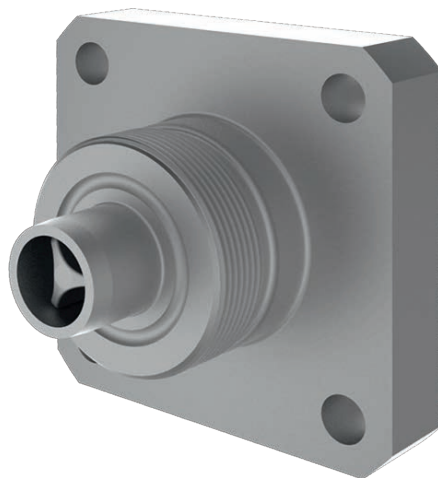
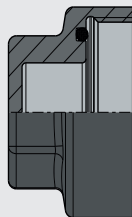
Coupling valve, model GCC-20
from page 8



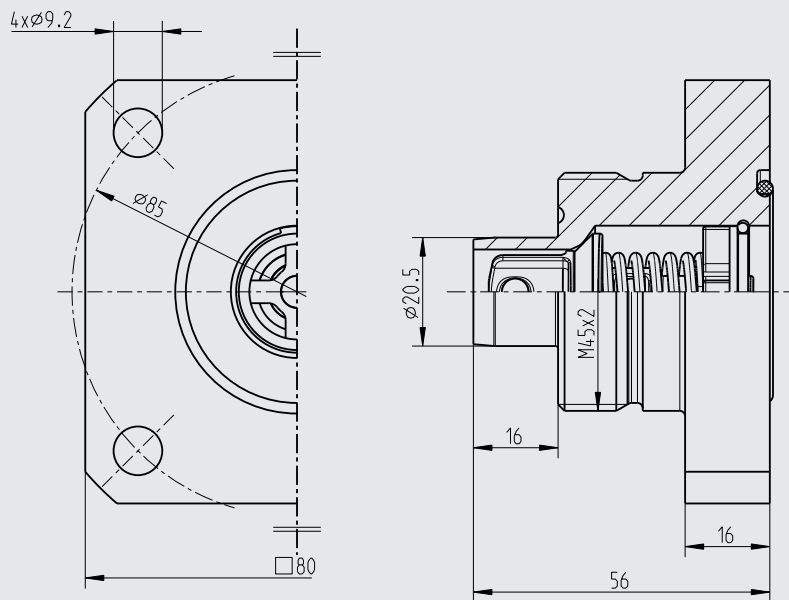
Connection for analytic
instruments, model GCG-20
see page 10



Protection cap, model GCP-20
see page 15



Dimensions in mm



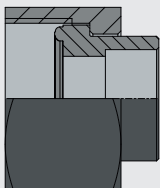
Material	Order no.
Aluminium	13368631

The O-ring is included.
Spare part: O-ring D36
Order no.: 14097132

Coupling valve, model GCC-20

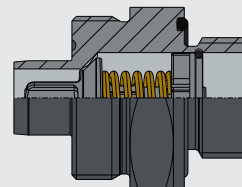
Attachment parts, left

Fitting, model GCF-20
see page 14

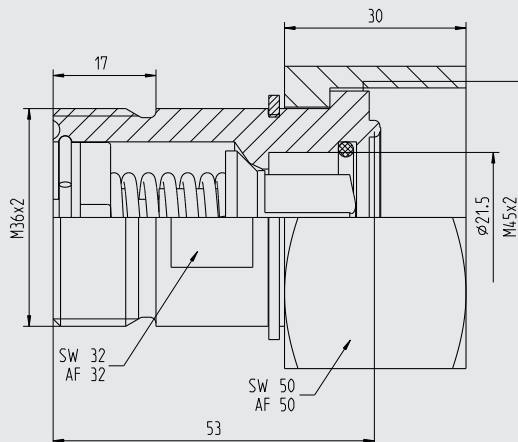


Attachment parts, right

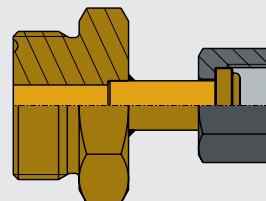
Valve, model GCV-20
from page 2



Dimensions in mm



Adapter, model GCA
from page 11



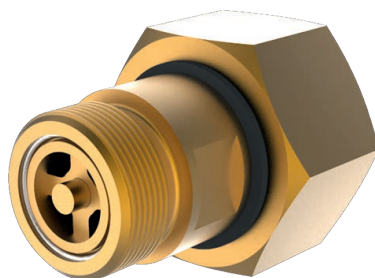
Material	Order no.
Brass	13363817
Aluminium	13363833
Stainless steel	13363841

The O-ring is included.
Spare part: O-ring D20
Order no.: 11469553

Coupling valve, model GCC-20

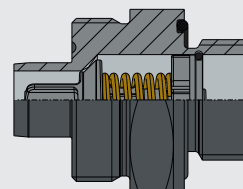
Attachment parts, left

Components with G1 connection
without groove-tongue sealing

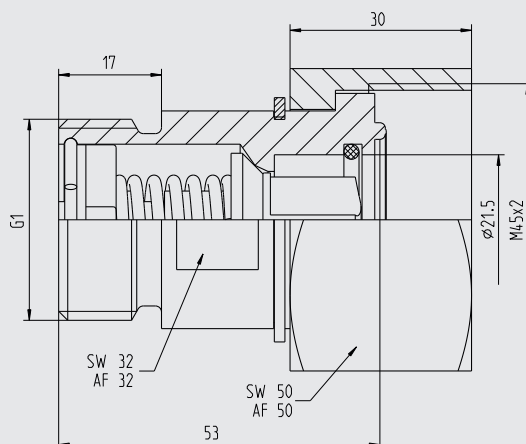


Attachment parts, right

Valve, model GCV-20
from page 2



Dimensions in mm



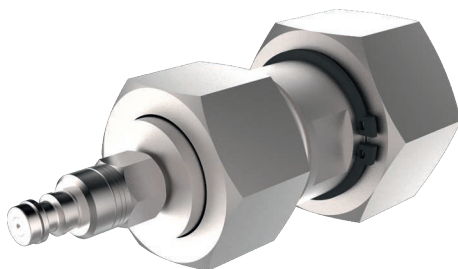
Material	Order no.
Brass	14019353

The O-ring is included.
Spare part: O-ring D20
Order no.: 11469553

Connection for analytic instruments, model GCG-20

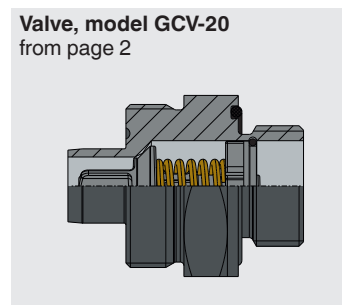
Attachment parts, left

Quick couplings

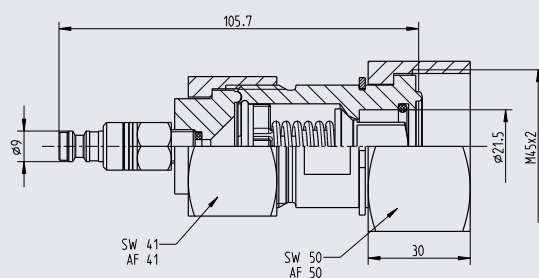


Attachment parts, right

Valve, model GCV-20
from page 2



Dimensions in mm

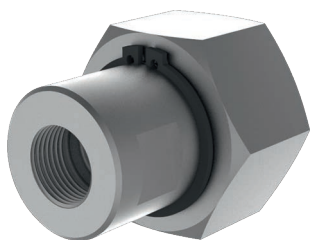


Material	Order no.
Stainless steel	14013758

The O-ring is included.
Spare part: O-ring D20
Order no.: 11469553

Adapter instrumentation, model GCA-20

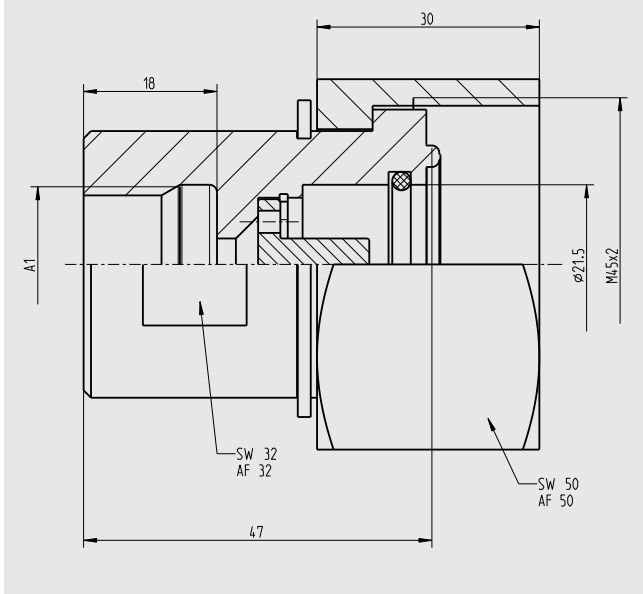
DN 20 to G 1/2 and M20 x 1.5



GCF-20 to G1/8

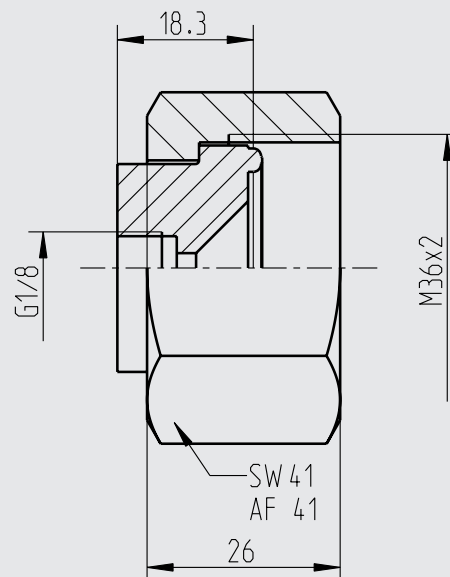


Dimensions in mm



Thread A1	Material	Order no.
G 1/2	Brass	13371037
G 1/2	Aluminium	13371061
M20 x 1.5	Brass	14051770

Dimensions in mm

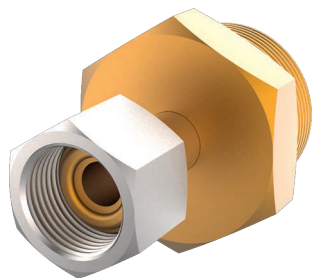


Material	Order no.
Aluminium	13384270

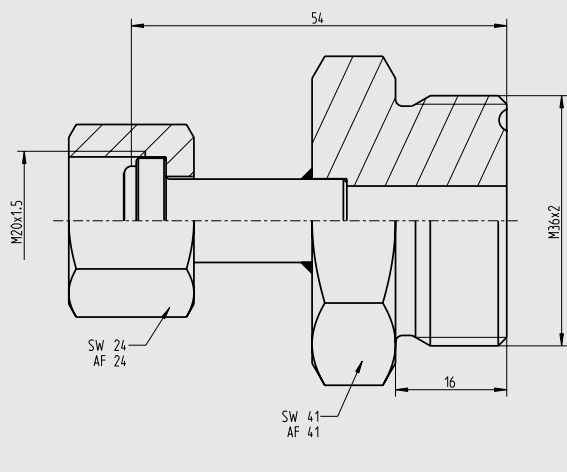
The O-ring is included.
Spare part: O-ring D20
Order no.: 11469553

Adapter nominal width, model GCA-08

DN 8 to DN 20



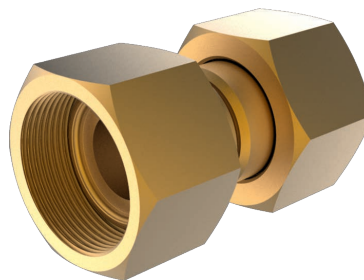
Dimensions in mm



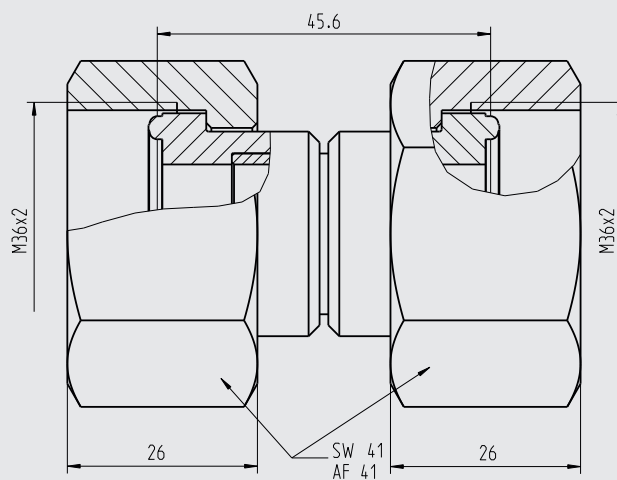
Material	Order no.
Brass	14098363
Stainless steel	14098362

Adapter nominal width, model GCA-20

DN 20 to DN 20



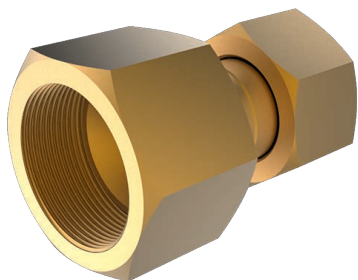
Dimensions in mm



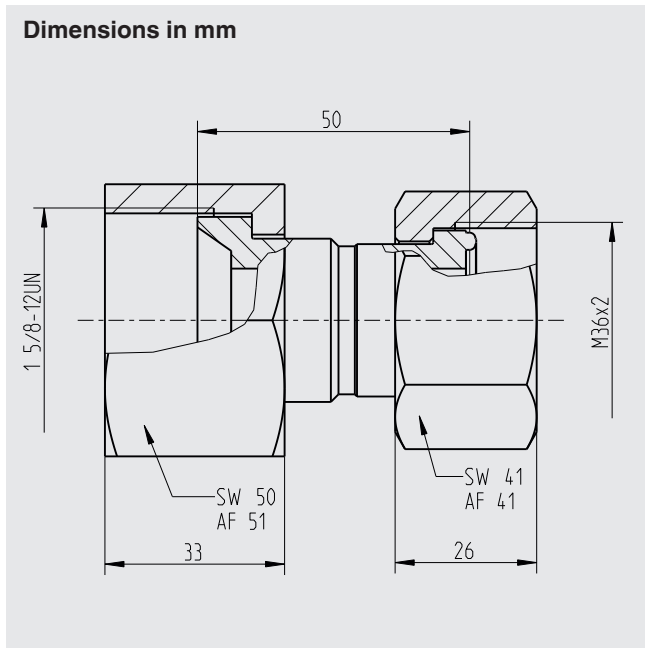
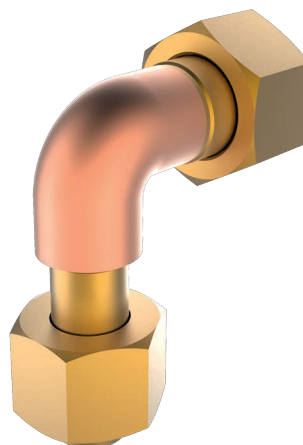
Material	Order no.
Brass	13375807

Adapter nominal width, model GCA-20

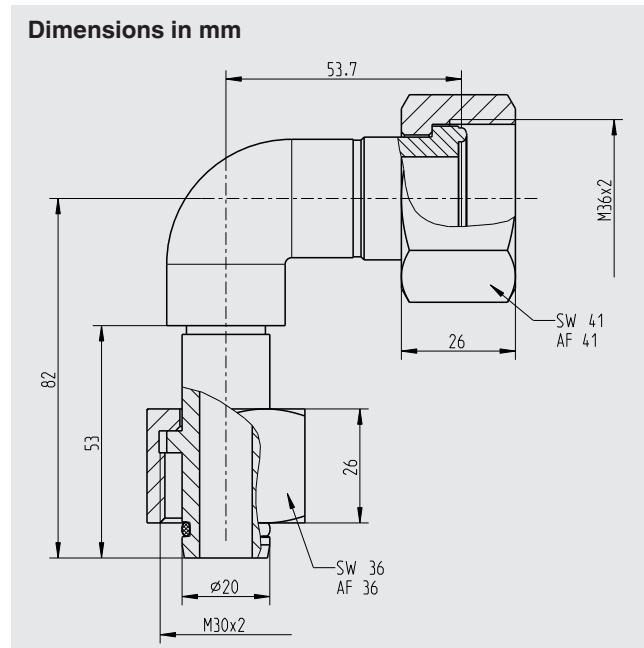
DN 20 to 1 5/8-12 UN



DN 20 to M30 x 2, 90° angled



Material	Order no.
Brass	14045655

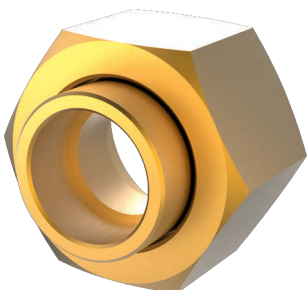


Material	Order no.
Brass	14045681

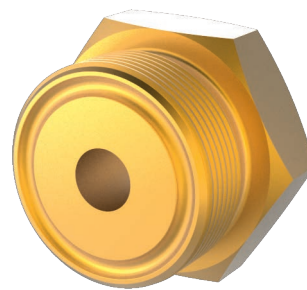
The O-ring is included.
Spare part: O-ring D15
Order no.: 2327397

Fitting, model GCF-20

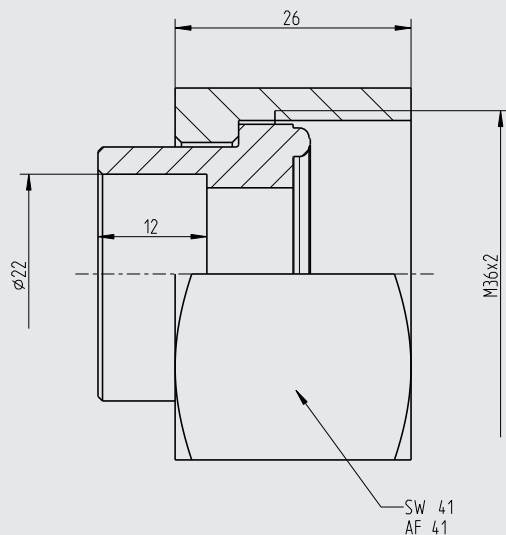
Union nut with tongue part



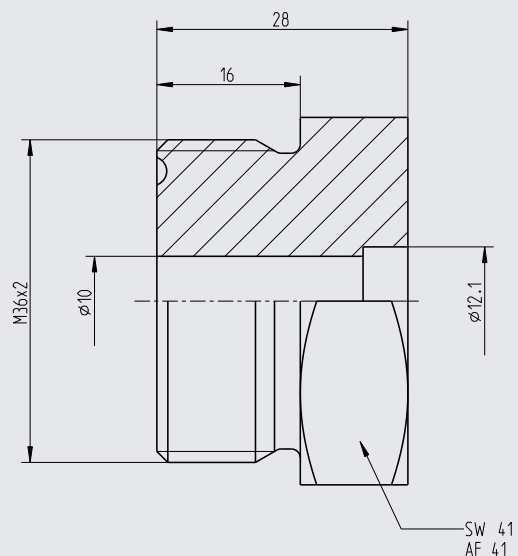
Groove part



Dimensions in mm



Dimensions in mm



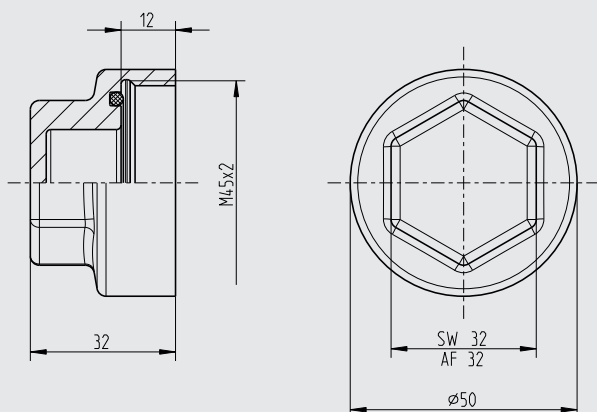
Description	Material	Order no.
Tongue part	Brass	13382684
Union nut	Brass	13378377

Material	Order no.
Brass	14059683
Stainless steel	14059691

Protection cap, model GCP-20



Dimensions in mm



Material	Order no.
Aluminium	14117926

The O-ring is included.
Spare part: O-ring D34
Order no.: 11471779

© 04/2014 WIKA Alexander Wiegand SE & Co. KG, all rights reserved.
The specifications given in this document represent the state of engineering at the time of publishing.
We reserve the right to make modifications to the specifications and materials.

